

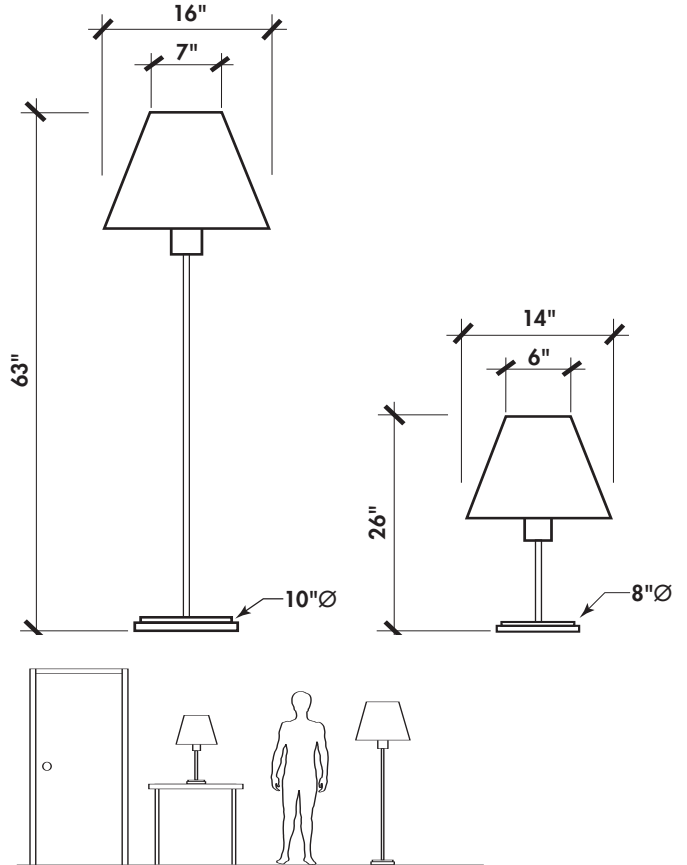


Shown with Optional Linen Shade and Satin Aluminum Finish

808 SERIES

FL-808-V1.0 FLOOR LAMP

This floor version of this transitional design produces the same soft, comfortable light, excellent energy efficiency and unique sustainability benefits as the table lamp counterpart.



TL 808 & FL 808 OPTIONS

- **CORD:** Power cord available in black, specify suffix **BLK** or **WHT**.
- **LINEN SHADE:** For lower cost white linen shade, specify **LS**.
- **DIMMING:** Advance electronic ballast with 100-15% dimming range.
- **NO SHADE:** For those who want to use a shade of their own choosing, specify **NS**.

VARIATIONS (Call factory)

- Mixed or special finishes
- Special shades or no shade
- Variations in overall height
- Fixed mounting
- Eliminate switch

SPEC GUIDE

VERSION	CAT#	LAMP	FINISH	CORD	OPTIONS
<input type="checkbox"/> TL TABLE	<input type="checkbox"/> 808-V1.0	<input type="checkbox"/> CF1/26	<input type="checkbox"/> SAL	<input type="checkbox"/> BLK	<input type="checkbox"/> LS
<input type="checkbox"/> FL FLOOR			<input type="checkbox"/> SB	<input type="checkbox"/> WHT	<input type="checkbox"/> NS
			<input type="checkbox"/> AB		<input type="checkbox"/> DIM

SAMPLE SPEC: TL-808-V1.0-CF1/42-SB-WHT-LS

Note: No lamp is supplied when 42W is specified.

