

**350 LED** Optional

**LUMINOUS SHADE**

Design  
Sustainability  
Value



DESIGN: RANDY BORDEN

Shown in Satin Aluminum with solid shade



print this page



email this page to a colleague



installation instructions



interactive submittal drawing



application photos



## FEATURES

- Simple, clean design.
- Shielded lamp, but is optically efficient.
- Tool-free relamping.
- Available with solid or luminous shade.

## ECO INFO

**METALS:** Aluminum and brass with the highest available recycled content for lower embodied energy. Both metals are valuable and recyclable at the end of the products useful life. For more information see "GENERAL INFO"

**FINISHING:** Aluminum and Antique Brass finishes are sealed with a hand-applied bees wax. No paint or lacquer is used in order to avoid pollution associated with the manufacture and application of these substances. Satin Brass is clear-coated with a very low VOC water-based coating. Paint finishes are low VOC and oven cured.

**ENERGY:** Designed exclusively for compact fluorescent or LED lamps using HPF electronic ballasts/drivers.

## MATERIALS

- Solid brass or aluminum metal work, hand finished.
- Luminous shade and cone are white acrylic with a matte finish.
- White SJ cord standard. Available in black or with metal stem.

## FINISHES

**SAL** Satin Aluminum

**SB** Satin Brass

**AB** Antique Brass

**CCP** Custom Color Painted finish

Standard metal finishes are hand satined and either waxed or sealed with a water-based clear coat. Other metal finishes are available. Contact factory.

## LAMPING

**CF:** 1-CF26W or 32WTTT Gx24q base. Lamps not included.

**LED:** 1-15W LED array; 1235 lumens, 3000K and 82 CRI.

LED array is included, is mounted in a holder and is replaceable.

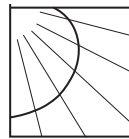
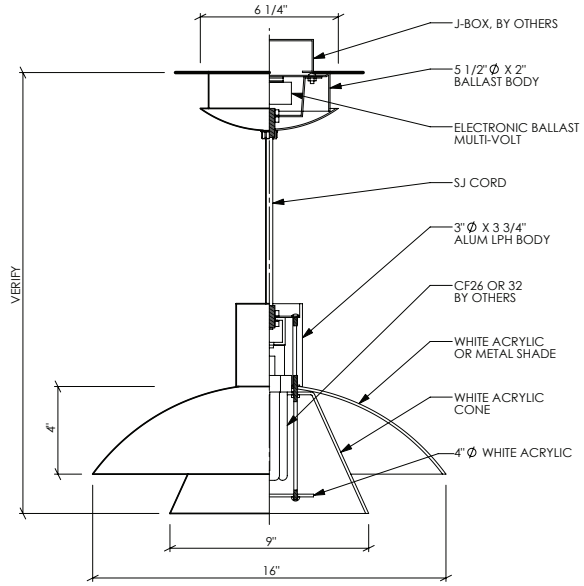
## BALLAST

Integral canopy-mounted electronic ballast and driver both, 120V/277V. Driver is 0-10V dimmable.

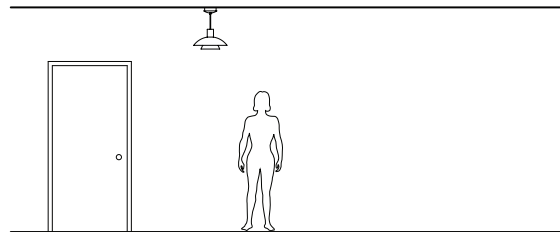


Shown with luminous shade

# 350



**PHOTOMETRICS**  
 Lighting Sciences Report 22542  
 Fixture Efficiency: 83.4%  
 Tested with metal shade & CF.



## OPTIONS

**FAUX:** Hand applied faux finish available. Specify **FAUX**. (FAUX is for upper shade only.)

**STEM:** Available with a metal stem & swivel canopy, specify **STEM**.

**UPPER SHADE:** Choice of luminous white acrylic or opaque metal shade. Specify **LS** or **MS**.

**DIMMING:** Our standard dimming electronic ballast has range of 100-15%, 120 volt only. Ballast dimmable from any incandescent dimmer. Other dimming ballasts available.

**EMERGENCY BATTERY PACK:** Remote mounted **EBP**, specify **REM**. Not available for **LED**.

**HANG HEIGHT:** Standard overall hang height is 24" (ceiling to bottom of fixture). There is an additional charge for hang heights greater than standard. Minimum recommended is 18"

**MOUNTING:** Standard J-box or plaster ring.

**WEIGHT:** 6 lbs

## VARIATIONS / MODIFICATIONS

- Special finishes
- Addition of decorative detail
- Different shade size

## SPEC GUIDE SAMPLE SPEC: 350-CF1/26-120-SAL-LS-FAUX-24"

CAT#	LAMPING	VOLT	FINISH	UPPER SHADE	OPTION	OA
<input type="checkbox"/> 350	<input type="checkbox"/> CF1/26 <input type="checkbox"/> CF1/32 <input type="checkbox"/> LED1/15	<input type="checkbox"/> 120 <input type="checkbox"/> 277 <input type="checkbox"/> 120DIM	<input type="checkbox"/> SAL <input type="checkbox"/> SB <input type="checkbox"/> AB <input type="checkbox"/> CCP	<input type="checkbox"/> LS <input type="checkbox"/> MS	<input type="checkbox"/> FAUX <input type="checkbox"/> REM <input type="checkbox"/> STEM	<input type="checkbox"/> 24" STD <input type="checkbox"/> SPECIFY

**NOTE:** Standard electronic ballast is multi-volt and multi-wattage. Fixture will accommodate 26 or 32W lamps.



Our fixtures are handcrafted here in the USA using the highest quality materials.

