



Shown in Satin Aluminum



UPDATED 3/15

322-24 **LEMLED**

322-32 **LEMLED**

322-41 **LEMLED**

322-46 **LEMLED**

LUMINOUS BOWL WITH TRIM RING

Design
Sustainability
Value



print this page



email this page to a colleague



installation instructions



interactive submittal drawing



application photos



FEATURES

- Transitional design fits contemporary and traditional spaces.
- Available in 24", 32", 41" and 46" diameters.
- Exclusive 45-degree swivel meets California Title 24 requirements
- Solid hand-finished metal construction. (Brass not available for 41" & 46" dia.)

MATERIALS

- Solid brass or aluminum metal work, hand finished.
- White acrylic bowl with matte finish.

FINISHES

SAL Satin Aluminum **AB** Antique Brass

SB Satin Brass **CCP** Custom Color Painted finish

Standard metal finishes are hand satined and either waxed or sealed with a water-based clear coat. Other metal finishes are available. Contact factory.

LAMPING (Lamps not included.)

322-24": **CF:** 4-CF26WTTT, Gx24q base.

LED: 3-GU24 base LED A-lamps, 12W, 1100 lumens, 3000K, supplied.

322-32": **CF:** 4-CF26W, CF32W or CF42WTTT, Gx24q base.

LED: 4-LED A-lamps as above.

322-41" & 46": **CF:** 4-CF42WTTT (Gx24q base) or CF57WTTT (Gx24q-5 base)

LED: 41"-4-LED A-lamps as above.

46"-6-LED A-Lamps as above.

BALLAST/DRIVER

CF: Integral electronic HPF, 120V/277V.

LED: Electronic driver is built into the lamp, 120V only.

Dimmable to 10% with most incandescent dimmers.

ECO INFO

METALS: Aluminum and brass with the highest available recycled content for lower embodied energy. Both metals are valuable and recyclable at the end of the product's useful life. For more information see "GENERAL INFO"

FINISHING: Aluminum and Antique Brass finishes are sealed with a hand-applied bees wax. No paint or lacquer is used in order to avoid pollution associated with the manufacture and application of these substances. Satin Brass is clear-coated with a very low VOC water-based coating. Paint finishes are low VOC and oven cured.

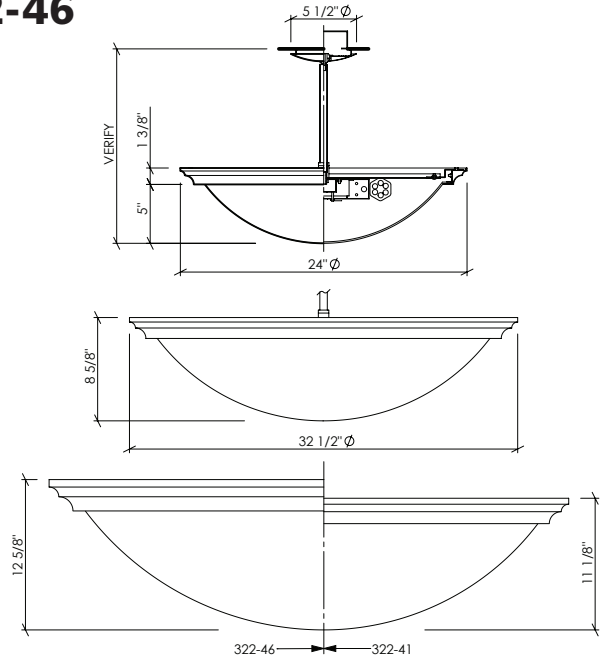
ENERGY: Designed exclusively for compact fluorescent lamps using HPF electronic ballasts or LED's





Shown in Satin Brass finish

322-24
322-32
322-41
322-46



OPTIONS

FAUX: Hand applied faux finish available for acrylic bowl, specify **FAUX**.

DIMMING: Lutron & Advance dimming available.

EMERGENCY BATTERY PACK: Integral EBP available, specify **IEM**.

HANG HEIGHT: Standard overall hang height is 24" for 24" dia and 32" dia; 36" for 40" dia (ceiling to bottom of fixture). There is an additional charge for hang heights greater than standard. Minimum recommended is 18". Standard canopy will accommodate a sloped ceiling of 40 degrees

MOUNTING: Standard J-box or plaster ring. Safety cable provided.

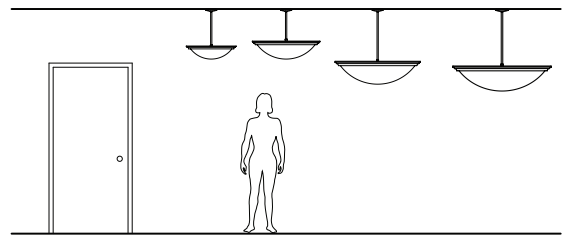
WEIGHT: 24" - 10 lbs
 32" - 14 lbs
 41" - 18 lbs
 46" - 20 lbs



PHOTOMETRICS

Lighting Sciences Report 22637

Fixture Efficiency: 78.0%
 62% Uplight & 38% Downlight.



VARIATIONS / MODIFICATIONS

- Special finishes
- Addition of decorative detail
- Alternate stem configurations

SPEC GUIDE SAMPLE SPEC: 322-24-CF4/26-120-SAL-24"

CAT#	SIZE	LAMPING	VOLT	FINISH	OPTION
<input type="checkbox"/> 322	<input type="checkbox"/> 24	<input type="checkbox"/> CF4/26	<input type="checkbox"/> 120	<input type="checkbox"/> SAL	<input type="checkbox"/> IEM
	<input type="checkbox"/> 32	<input type="checkbox"/> CF4/32	<input type="checkbox"/> 277	<input type="checkbox"/> SB	<input type="checkbox"/> REM
	<input type="checkbox"/> 41	<input type="checkbox"/> CF4/42		<input type="checkbox"/> AB	<input type="checkbox"/> FAUX
	<input type="checkbox"/> 46	<input type="checkbox"/> CF4/57		<input type="checkbox"/> CCP	
		<input type="checkbox"/> LED3/12			
		<input type="checkbox"/> LED4/12			
		<input type="checkbox"/> LED6/12			



Our fixtures are handcrafted here in the USA using the highest quality materials.

