

UPDATED 3/15

**320-24** **ITEM LED** Opt.

**320-32** **ITEM LED** Opt.

**320-40** **ITEM LED** Opt.

**LUMINOUS SHALLOW BOWL**

Design Sustainability Value



Shown in Satin Aluminum



print this page



email this page to a colleague



installation instructions



interactive submittal drawing



application photos



120



520



**FEATURES**

- Simple shallow bowl design.
- Available in 24", 32" & 40" dia.
- Easy tool-less relamping.
- 45 degree swivel meets Calif T-24
- Solid hand-finished metal construction.

**ECO INFO**

**METALS:** Aluminum and brass with the highest available recycled content for lower embodied energy. Both metals are valuable and recyclable at the end of the product's useful life. For more information see "GENERAL INFO"

**FINISHING:** Aluminum and Antique Brass finishes are sealed with a hand-applied bees wax. No paint or lacquer is used in order to avoid pollution associated with the manufacture and application of these substances. Satin Brass is clear-coated with a very low VOC water-based coating. Paint finishes are low VOC and oven cured.

**ENERGY:** Designed exclusively for compact fluorescent lamps using HPF electronic ballasts.

**MATERIALS**

- Solid brass or aluminum metal work, hand finished
- White acrylic bowl with matte finish

**FINISHES**

**SAL** Satin Aluminum    **AB** Antique Brass  
**SB** Satin Brass        **CCP** Custom Color Painted finish

Standard metal finishes are hand satined and either waxed or sealed with a water-based clear coat.

**LAMPING**

320-24: **CF:** 4-CF26, 32WTTT, GX24q base.

**LED:** 3-GU24 base LED A-lamps, 12W, 1100 lumens, 3000k, supplied.

320-32: **CF:** 4-CF26, 32 or 42WTTT, GX24q base.

**LED:** 4-LED A-lamps as above.

320-40: **CF:** 4-CF26, 32, 42 or 57WTTT, GX24q-6 base.

**LED:** 4-LED A-lamps as above.

**BALLAST/DRIVER**

**CF:** Integral electronic HPF, 120V/277V.

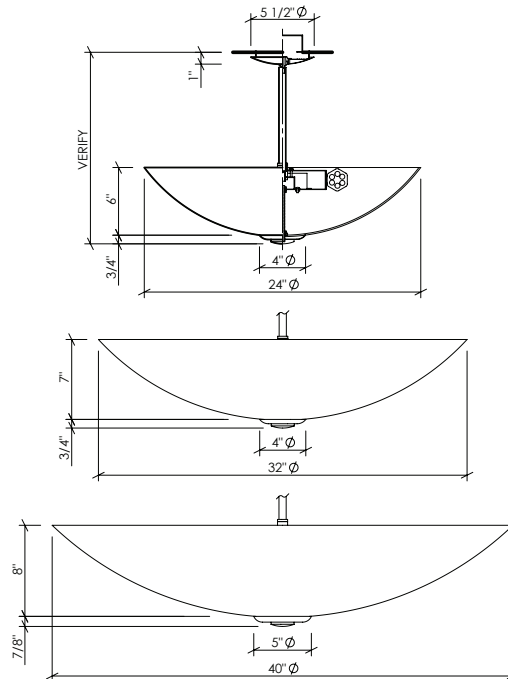
**LED:** Electronic driver is built into lamp, 120V only.

Dimmable to 10% with most incandescent dimmers.



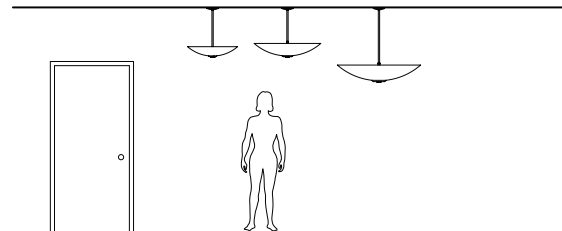


**320-24**  
**320-32**  
**320-40**



**PHOTOMETRICS**

Lighting Sciences Report No. 26213  
 Fixture Efficiency: 92.0%  
 68% Uplight & 32% Downlight.



**OPTIONS**

**FAUX:** Hand painted faux finish available, specify **FAUX**

**DIMMING:** Lutron & Advance dimming available.

**EMERGENCY BATTERY PACK:** Integral EBP for 24, 32, & 40" dia, specify **IEM**.

**HANG HEIGHT:** Standard overall hang height is 24" for 24" dia and 32" dia; 36" for 40" dia (ceiling to bottom of fixture). There is an additional charge for hang heights greater than standard. Minimum recommended is 18". Standard canopy will accommodate a sloped ceiling of 40 degrees

**MOUNTING:** Standard J-box or plaster ring. Safety cable provided

**WEIGHT:** 24" 15 lbs      40" 20 lbs  
 32" 17 lbs

**VARIATIONS / MODIFICATIONS**

- Special finishes
- Different bowl sizes
- Addition of decorative detail
- Alternate stem configurations

**SPEC GUIDE**      SAMPLE SPEC: 320-24-CF4/26-120-SB-DIM-24" OA

CAT#	SIZE	LAMPING	VOLT	FINISH	OPTION	OA
<input type="checkbox"/> 320	<input type="checkbox"/> 24	<input type="checkbox"/> CF4/26	<input type="checkbox"/> 120	<input type="checkbox"/> SAL	<input type="checkbox"/> FAUX	<input type="checkbox"/> 24" STD
	<input type="checkbox"/> 32	<input type="checkbox"/> CF4/32	<input type="checkbox"/> 277	<input type="checkbox"/> SB	<input type="checkbox"/> REM	<input type="checkbox"/> SPECIFY
	<input type="checkbox"/> 40	<input type="checkbox"/> CF4/42		<input type="checkbox"/> AB	<input type="checkbox"/> IEM	
		<input type="checkbox"/> CF4/57		<input type="checkbox"/> CCP		
		<input type="checkbox"/> LED3/12				
		<input type="checkbox"/> LED4/12				



1999 Montague St • San Leandro, CA 94577 • ph 510.357.0171 • fax 510.357.3832 • www.bordenlighting.com