

UP/DOWNLIGHT PENDANT

Design
Sustainability
Value



Shown in Satin Aluminum.



print this page



email this page to a colleague



installation instructions



interactive submittal drawings



application photos



FEATURES

- Strong upright balanced by soft downlight
- Available without acrylic baffle
- Simple, contemporary shape
- Solid hand-finished metal construction
- Exclusive 45-degree swivel meets California Title 24 requirements

ECO INFO

METALS: Aluminum and brass with the highest available recycled content for lower embodied energy. Both metals are valuable and recyclable at the end of the product's useful life. For more information see "GENERAL INFO"

FINISHING: Aluminum and Antique Brass finishes are sealed with a hand-applied bees wax. No paint or lacquer is used in order to avoid pollution associated with the manufacture and application of these substances. Satin Brass is clear-coated with a very low VOC water-based coating. Paint finishes are low VOC and oven cured.

ENERGY: Designed exclusively for compact fluorescent lamps using HPF electronic ballasts.

MATERIALS

- Solid brass or aluminum metal work, hand finished.
- White acrylic baffle.

FINISHES

SAL Satin Aluminum

SB Satin Brass

AB Antique Brass

CCP Custom Color Painted finish

Standard metal finishes are hand satined and either waxed or sealed with a water-based clear coat. Other metal finishes are available. Contact factory.

LAMPING

4-CF26W, 32W or 42WTTT GX24q base.

Lamps not included.

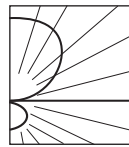
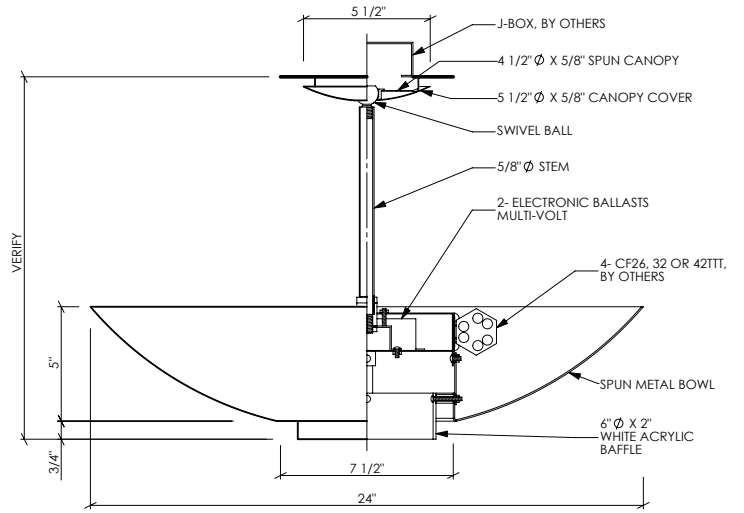
BALLAST

Integral electronic HPF, 120V/277V.

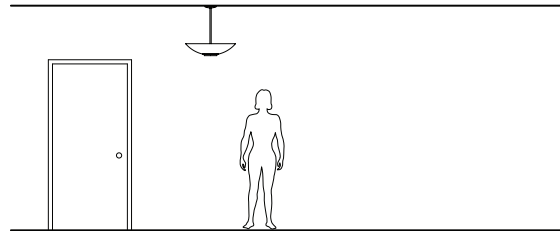


Shown without acrylic baffle.

315



PHOTOMETRICS
 Lighting Sciences Report 22636
 Fixture Efficiency: 81.2%
 96% uplight & 4% downlight



OPTIONS

ACRYLIC BAFFLE: Available without the acrylic baffle, specify **NB**

DIMMING: Lutron and Advance diming available.

TOP COVER: Two-piece hexcel louver available, specify **TC**.

EMERGENCY BATTERY PACK: Remote mounted EBP, specify **REM**.

HANG HEIGHT: Standard overall hang height is 24" (ceiling to bottom of fixture). There is an additional charge for hang heights greater than standard. Minimum recommended is 18" standard canopy will accommodate sloped ceilings up to 40 degrees.

MOUNTING: Standard J-box or plaster ring.
 Safety cable provided.

WEIGHT: 12 lbs

VARIATIONS / MODIFICATIONS

- Special finishes
- Addition of decorative detail
- Available without acrylic baffle

NOTE: Standard electronic ballast is multi-volt and multi-wattage. Fixture will accommodate 26, 32 or 42 watt lamps.

SPEC GUIDE SAMPLE SPEC: 315-CF4/26-120-SAL-TC-24" 0A

CAT#	LAMPING	VOLT	FINISH	OPTION	0A
<input type="checkbox"/> 315	<input type="checkbox"/> CF4/26	<input type="checkbox"/> 120	<input type="checkbox"/> SAL	<input type="checkbox"/> REM	<input type="checkbox"/> 24" STD
	<input type="checkbox"/> CF4/32	<input type="checkbox"/> 277	<input type="checkbox"/> SB	<input type="checkbox"/> TC	<input type="checkbox"/> SPECIFY
	<input type="checkbox"/> CF4/42		<input type="checkbox"/> AB	<input type="checkbox"/> NB	
			<input type="checkbox"/> CCP	<input type="checkbox"/> DIM	



Our fixtures are handcrafted here in the USA using the highest quality materials.

