

UPDATED 8/15

308 LED *New*

INDIRECT DRUM PENDANT

Design
Sustainability
Value



print this page



email this page to a colleague



installation instructions



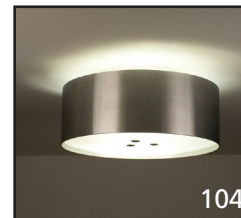
interactive submittal drawing



DESIGN: RANDY BORDEN

Shown with Satin Aluminum

COMPANIONS



104



504



FEATURES

- Classic shallow drum design.
- Purpose-built design for LED only.
- High efficacy and high CRI.
- Layered light with soft, diffuse uplight & direct downlight.

ECO INFO

ENERGY: Designed exclusively for LEDs. Using HPF electronic drivers.

METALS: Aluminum with the highest available recycled content for lower embodied energy. Aluminum is valuable and recyclable at the end of the product's useful life. For more information see "GENERAL INFO"

FINISHING: Aluminum finish is sealed with a hand-applied bees wax. No paint or lacquer is used in order to avoid pollution associated with the manufacture and application of these substances. Paint finishes are low VOC and oven cured.

MATERIALS

- Spun aluminum drum.
- Aluminum heat sink disks.

FINISHES

SAL Satin Aluminum (Hand satined and waxed.)

MW Matte White

CCP Custom Color Painted finish

LAMPING

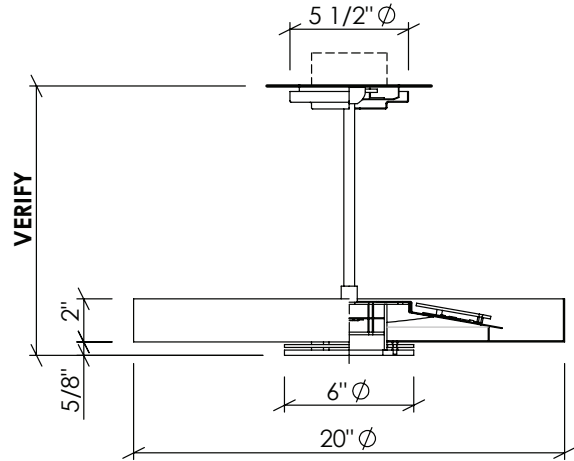
LED: 3 or 4-16W uplight & 1-7W downlight. The 16W is rated at 2120lms, 3000K & 80+CRI. The 7W is rated 480lms, 2700K & 90 CRI. Fixture is wired for two circuits.

DRIVER

Integral HPF electronic driver is multi-volt 120/277 and is 0-10 dimmable. Triac 2-wire dimming available 120V only.

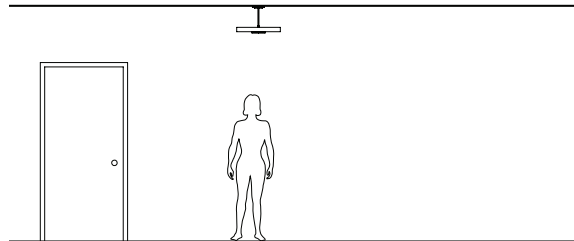


308



PHOTOMETRICS

Use Light Lab Report No. L11133001R01 for the 314. Distribution is the same.
 Fixture Efficacy: 77 lm/w, 94% uplight & 6% downlight. Tested LEDs rated at 1850lm (up); new LEDs rated at 2120lm or 15% more. (Downlight remains the same).
 Adjust light levels accordingly.



VARIATIONS / MODIFICATIONS

- Special finishes
- Addition of decorative detail

MOUNTING: Standard J-box or plaster ring.

WEIGHT: 8 lbs

SPEC GUIDE SAMPLE SPEC: 308-LED3/17+1-7-120-SAL-24"0A

CAT#	LAMPING	VOLT	FINISH	0A
<input type="checkbox"/> 308	<input type="checkbox"/> LED 3/16+1/7	<input type="checkbox"/> 120	<input type="checkbox"/> SAL	<input type="checkbox"/> 24" STD
	<input type="checkbox"/> LED 4/16+1/7	<input type="checkbox"/> 277	<input type="checkbox"/> MW	<input type="checkbox"/> SPECIFY
			<input type="checkbox"/> CCP	



Our fixtures are handcrafted here in the USA using the highest quality materials.

