

UPDATED 8/15

**532 NEW LED ADA**

**532-6 NEW LED**

**INDIRECT SCONCE**

Design  
Sustainability  
Value



print this page



email this page to a colleague



installation instructions



interactive submittal drawing



DESIGN: RANDY BORDEN

Shown in Satin Aluminum

## FEATURES

- Purpose-built for LED
- ADA compliant
- Available in two sizes
- Broad side-to-side distribution ideally suited to corridors.

## MATERIALS

- Aluminum, hand finished.

## FINISHES

**SAL** Satin Aluminum

**MW** Matte White

**CCP** Custom Color Painted finish

Standard metal finishes are hand satined and waxed. Other metal finishes are available. Contact factory.

## LAMPING

532-4: 2-9W LED arrays, 1210 lumens each or

2-11W LED arrays, 1550 lumens each.

532-6: 4-11W LED arrays, 1550 lumens each.

All LEDs 3000K, 80 CRI.

## DRIVER

Integral HPF electronic driver is multi-volt 120/277 and is 0-10V dimmable.

## ECO INFO

**METALS:** Aluminum parts have the highest available recycled content for lower embodied energy. All metals are valuable and recyclable at the end of the product's useful life. For more information see "GENERAL INFO"

**FINISHING:** Solid, natural metal finishes are sealed with a hand-applied bees wax. No paint or lacquer is used in order to avoid pollution associated with the manufacture and application of these substances. Clear coat finishes are available. Paint finishes are low VOC and oven cured.

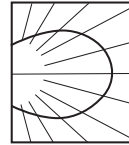
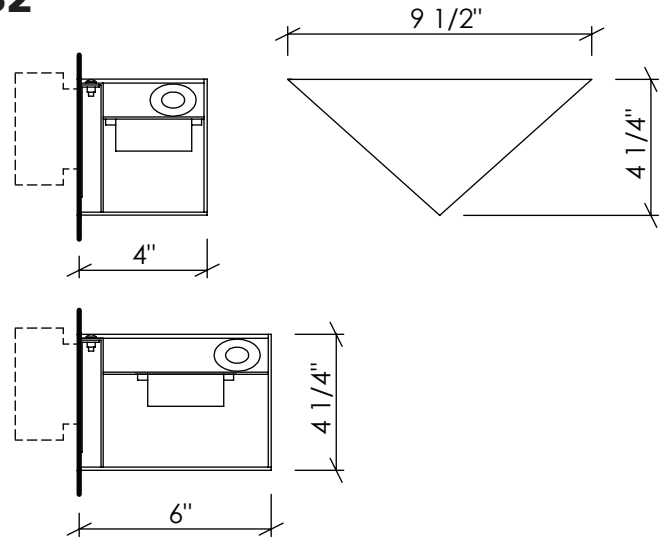
**ENERGY:** Designed exclusively for LEDs using HPF electronic drivers.



999 Montague St • San Leandro, CA 94577 • ph 510.357.0171 • fax 510.357.3832 • www.bordenlighting.com

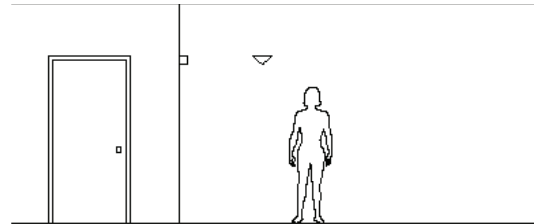


## 532



### PHOTOMETRICS

Lighting Sciences Report No. L091404205  
 Fixture Efficiency: 64 lm/w  
 Tested with a 2-10W LEDs rated at 1050lm each; new LED is 9W and 1210lm or 15% more. Adjust light levels accordingly.



### VARIATIONS / MODIFICATIONS

- Special finishes
- Addition of decorative detail
- Longer length

**MOUNTING:** Standard J-box or plaster ring.

**WEIGHT:** 4 lbs

**NOTE:** Standard electronic driver is multi-volt and 0-10V dimmable. Two-wire incandescent dimming is available for 120V.

## SPEC GUIDE SAMPLE SPEC:

CAT#	LAMPING	VOLT	FINISH
<input type="checkbox"/> 532-4	<input type="checkbox"/> LED2/9	<input type="checkbox"/> 120	<input type="checkbox"/> SAL
<input type="checkbox"/> 532-6	<input type="checkbox"/> LED2/11	<input type="checkbox"/> 277	<input type="checkbox"/> MW
	<input type="checkbox"/> LED4/11		<input type="checkbox"/> CCP



**LIGHTING  
 FIXTURES**



Our fixtures are handcrafted here in the USA using the highest quality materials.



999 Montague St • San Leandro, CA 94577 • ph 510.357.0171 • fax 510.357.3832 • [www.bordenlighting.com](http://www.bordenlighting.com)