



DESIGN: MIN YIN

515 NEW ADA LED

LUMINOUS HALF CYLINDER

Design
Sustainability
Value



print this page



email this page to a colleague



installation instructions



interactive submittal drawing



FEATURES

- ADA compliant.
- Available for CF or LED

ECO INFO

METALS: Aluminum parts have the highest available recycled content for lower embodied energy. All metals are valuable and recyclable at the end of the product's useful life. For more information see "GENERAL INFO"

FINISHING: Solid, natural metal finishes are sealed with a hand-applied bees wax. No paint or lacquer is used in order to avoid pollution associated with the manufacture and application of these substances. Clear coat finishes are available. Paint finishes are low VOC and oven cured.

ENERGY: Designed exclusively for compact fluorescent lamps using HPF electronic ballasts or LEDs.

MATERIALS

- Solid aluminum metalwork, hand finished.
- Luminous shield is extruded white acrylic with a matte finish.

FINISHES

SAL Satin Aluminum

MW Matte White

CCP Custom Color Painted finish

Standard metal finishes are hand satined and waxed.

LAMPING

CF: 1-CF13TT, 2Gx7 base or 1 CF26DTT, Gx24q base.

Lamps not included.

LED: 1-10W array, 1100 lumens, 3000K, 80+ CRI, supplied with fixture.

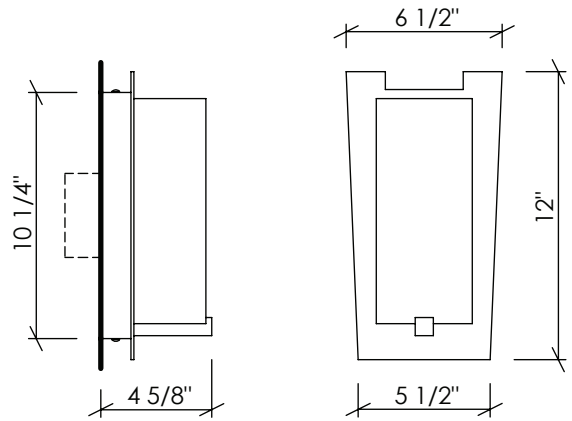
Ballast/Driver

CF: Integral electronic HPF, 120V/277V.

LED: Integral driver is multi-volt 120/277 and is 0-10V dimmable. Triac dimming available for 120V.



515



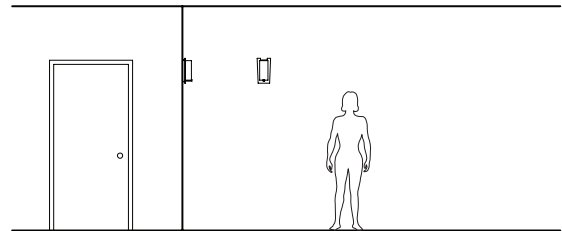
Shown in Satin Aluminum

OPTIONS

FAUX: Hand applied faux finish available. Specify **FAUX**.

DIMMING: CF: Available 2-wire dimming 120V only. Lutron & Advance dimming also available.

LED: 0-10V dimming standard. Triac dimming available for 120V only.



VARIATIONS / MODIFICATIONS

- Special finishes
- Addition of decorative detail

MOUNTING: Standard J-box or plaster ring.

WEIGHT: 4lbs

SPEC GUIDE SAMPLE SPEC: 515-CF1/26-120-SAL-FAUX

CAT#	LAMPING	VOLT	FINISH	OPTION
<input type="checkbox"/> 515	<input type="checkbox"/> CF1/13	<input type="checkbox"/> 120	<input type="checkbox"/> SAL	<input type="checkbox"/> FAUX
	<input type="checkbox"/> CF1/26	<input type="checkbox"/> 277	<input type="checkbox"/> MW	<input type="checkbox"/> REM
	<input type="checkbox"/> LED1/10		<input type="checkbox"/> CCP	



Our fixtures are handcrafted here in the USA using the highest quality materials.

