

UPDATED 8/15

511-7 NEW LED ADA 511-10 NEW LED ADA

UPLIGHT SCONCE

Design
Sustainability
Value



print this page



email this page to a colleague



installation instructions

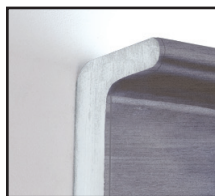


interactive submittal drawing

DESIGN: ALLEN REAVES



Shown in Satin Aluminum



FEATURES

- Purpose-built for LED
- ADA compliant.
- Available in two sizes.

ECO INFO

METALS: Aluminum parts have the highest available recycled content for lower embodied energy. All metals are valuable and recyclable at the end of the product's useful life. For more information see "GENERAL INFO"

FINISHING: Solid, natural metal finishes are sealed with a hand-applied bees wax. No paint or lacquer is used in order to avoid pollution associated with the manufacture and application of these substances. Clear coat finishes are available. Paint finishes are low VOC and oven cured.

ENERGY: Designed exclusively for LEDs using HPF electronic drivers.

MATERIALS

- Aluminum, hand finished.

FINISHES

SBAL Sand-blasted Aluminum

MW Matte White

CCP Custom Color Painted finish

Standard aluminum finish is waxed.

Other metal finishes are available. Contact factory.

LAMPING

511-7: 2-9W LED arrays, 1210 lumens each or

2-14W LED arrays, 1650 lumens each.

511-10: 3-9W LED arrays, 1210 lumens each.

LED arrays are 3000K, 80 CRI and are replaceable with quick connects.

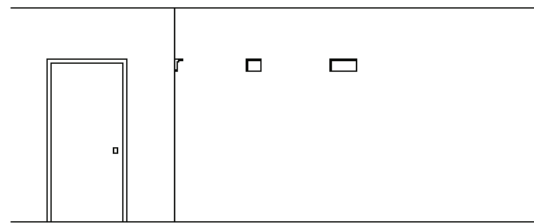
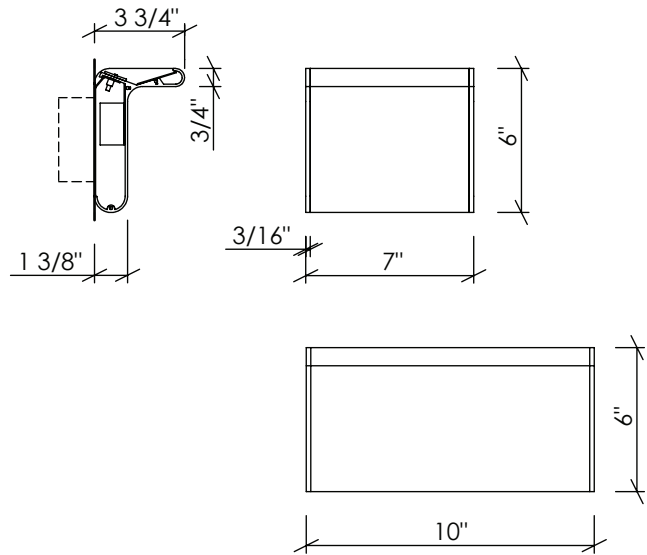
Driver:

Integral HPF electronic drivers are multi-volt 120/277 and are 0-10V dimmable. Triac dimming is available for 120V.





511



VARIATIONS / MODIFICATIONS

- Special finishes
- Addition of decorative detail
- Longer length

NOTE: Standard electronic driver is multi-volt and 0-10V dimmable. Two-wire incandescent dimming is available for 120V.

MOUNTING: Standard J-box or plaster ring.

WEIGHT: 4 lbs

SPEC GUIDE SAMPLE SPEC: 511-14-LED2/10-SBAL

CAT#	LAMPING	VOLT	FINISH
<input type="checkbox"/> 511-7	<input type="checkbox"/> LED2/9	<input type="checkbox"/> 120	<input type="checkbox"/> SBAL
<input type="checkbox"/> 511-10	<input type="checkbox"/> LED2/14	<input type="checkbox"/> 277	<input type="checkbox"/> MW
	<input type="checkbox"/> LED3/9		<input type="checkbox"/> CCP



Our fixtures are handcrafted here in the USA using the highest quality materials.



999 Montague St • San Leandro, CA 94577 • ph 510.357.0171 • fax 510.357.3832 • www.bordenlighting.com