

UPDATED 8/15

163 LED New improved LED array & dimming driver.

LUMINOUS BOWL

Design Sustainability Value



Shown with Satin Aluminum.



print this page



email this page to a colleague



installation instructions



interactive submittal drawing

COMPANIONS



FEATURES

- Simple clean design.
- Purpose-built design for LED only.
- Strong downlight balanced by the luminous bowl and uplight.
- High efficacy and high CRI.

ECO INFO

ENERGY: Designed exclusively for LEDs using HPF electronic drivers.

METALS: Aluminum with the highest available recycled content for lower embodied energy. Aluminum is valuable and recyclable at the end of the product's useful life. For more information see "GENERAL INFO"

FINISHING: Aluminum finish is sealed with a hand-applied bees wax. No paint or lacquer is used in order to avoid pollution associated with the manufacture and application of these substances. Paint finishes are low VOC and oven cured.

MATERIALS

- White acrylic bowl.
- Spun aluminum bottom trim.
- Aluminum heat sink disks.

FINISHES

SAL Satin Aluminum (Hand satined and waxed.)

MW Matte White

CCP Custom Color Painted finish

LAMPING

1-16W LED array; 2120 lumens, 3000K, 80 CRI.
LED array is included and is replaceable.

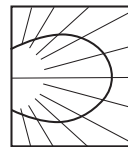
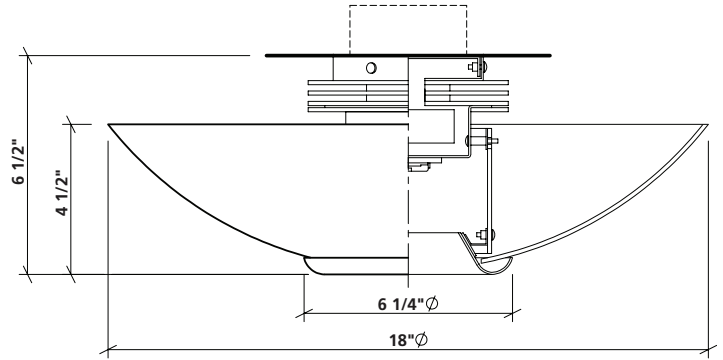
DRIVER

Integral HPF electronic driver is multi-volt 120/277 and is 0-10V dimmable.





163

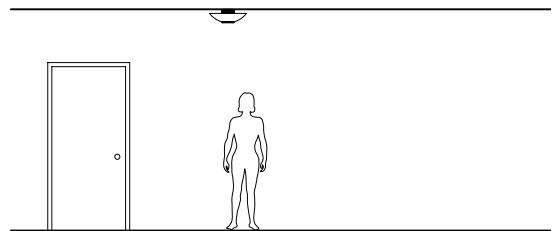


PHOTOMETRICS

Lighting Laboratory Report L07120302
 Fixture Efficacy: 52.39 lumens per watt
 66% downlight & 34% uplight.
 Tested with LED rated at 1410lm; new LED
 rated at 2120lm or 50% more. Adjust
 light levels accordingly.

OPTIONS

FAUX: Hand applied faux finish available.



VARIATIONS / MODIFICATIONS

- Special finishes
- Addition of decorative detail
- Different bowl size

MOUNTING: Standard J-box or plaster ring.

WEIGHT: 5 lbs

NOTE: Standard electronic driver is multi-volt and is 0-10V dimmable.

SPEC GUIDE

SAMPLE SPEC: 163-LED/17-277-SAL-FAUX

CAT#	LAMPING	VOLT	FINISH	OPTION
<input type="checkbox"/> 163	<input type="checkbox"/> LED/16	<input type="checkbox"/> 120	<input type="checkbox"/> SAL	<input type="checkbox"/> FAUX
		<input type="checkbox"/> 277	<input type="checkbox"/> AB	
			<input type="checkbox"/> CCP	



IBEW Labelled



Our fixtures are handcrafted here in the USA using the highest quality materials.



999 Montague St • San Leandro, CA 94577 • ph 510.357.0171 • fax 510.357.3832 • www.bordenlighting.com