

UPDATED 8/15

**110-13**  
**110-17**



## LUMINOUS BOWL

Design  
Sustainability  
Value



print this page



email this page to a colleague



installation instructions



interactive submittal drawing



Shown in matte white finish.



### FEATURES

- Simple clean design.
- Available in 13" & 17" dia.
- Tool-free relamping.

### ECO INFO

**ENERGY:** Designed exclusively for compact fluorescent lamps.

### MATERIALS

- Cold rolled steel body.
- Luminous bowl is white acrylic

### FINISHES

**MW** Matte White

**SNK** Satin Nickel

**CCP** Custom Color Painted finish

### LAMPING

110-13: CF: 1-T5 22W circline. Lamp not included.

LED: 2-9W LED arrays, 1210lm each.

110-17: CF: 1-T5 40W or 55W circline. Lamps not included.

LED: 3-9W arrays, 1210lm each.

LED arrays are 3000K, 80 CRI and are replaceable with quick connects.

### BALLAST

**CF:** Integral electronic HPF, 120V/277V.

**LED:** Integral driver is multi-volt 120/277 and is 0-10V dimmable.



999 Montague St • San Leandro, CA 94577 • ph 510.357.0171 • fax 510.357.3832 • [www.bordenlighting.com](http://www.bordenlighting.com)

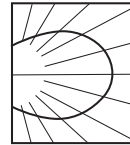
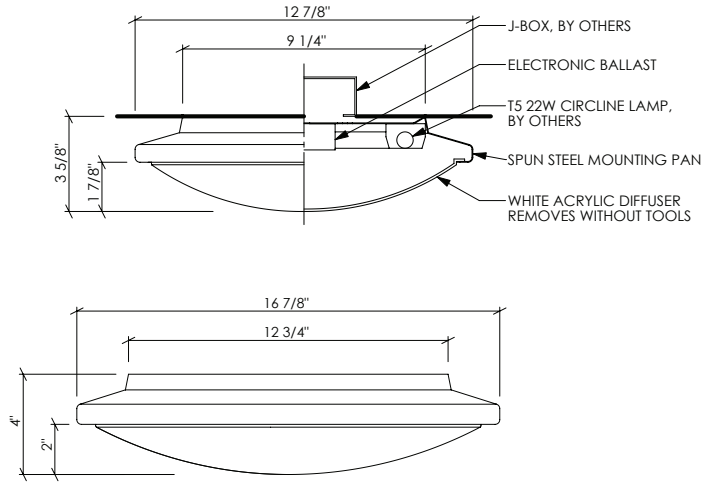


13" Shown in Satin Nickel.



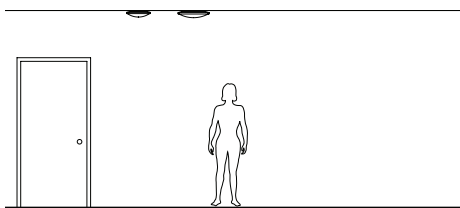
17" Shown in Matte White.

# 110-13 110-17 LUMINOUS BOWL



### PHOTOMETRICS

Lighting Sciences Report No. 26214  
 Fixture tested with 1-CF26W rated at 1800lm.  
 Fixture Efficiency: 31.5%  
 Distribution for LEDs is the same; adjust rated lumens accordingly.



### OPTIONS

**EMERGENCY BATTERY PACK:** Remote mounted EBP, specify REM.

**MOUNTING:** Standard J-box or plaster ring.

**WEIGHT:** 3 lbs

## SPEC GUIDE SAMPLE SPEC: 110-13-T5/22-120-MW

CAT#	SIZE	LAMPING	VOLT	FINISH	OPTION
<input type="checkbox"/> 110	<input type="checkbox"/> 13"	<input type="checkbox"/> T5/22	<input type="checkbox"/> 120	<input type="checkbox"/> MW	<input type="checkbox"/> REM
	<input type="checkbox"/> 17"	<input type="checkbox"/> T5/40	<input type="checkbox"/> 120HPF	<input type="checkbox"/> CCP	
		<input type="checkbox"/> T5/55	<input type="checkbox"/> 277HPF	<input type="checkbox"/> SNK	
		<input type="checkbox"/> LED2/9			
		<input type="checkbox"/> LED2/11			



Our fixtures are handcrafted here in the USA using the highest quality materials.

